

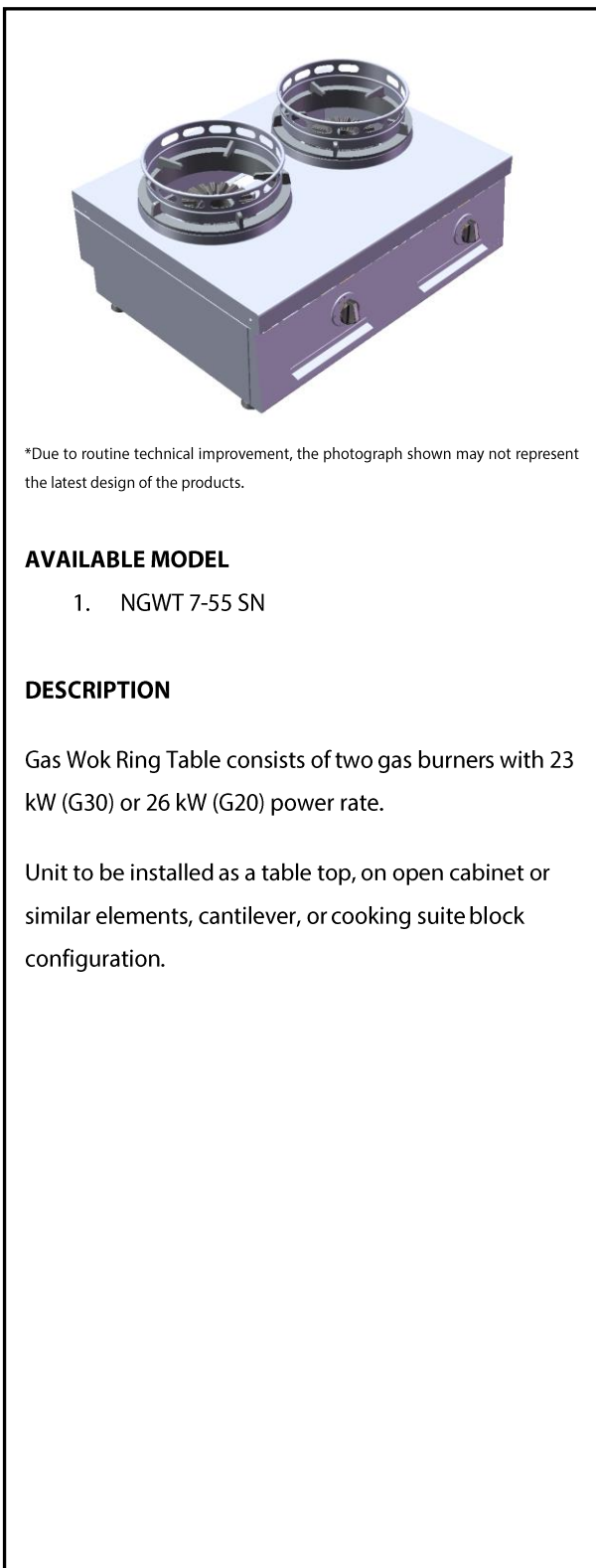


Total Food-Service Solutions

Modular Cooking - Amicus 600

Gas Wok Ring Table

NGWT 7-55 SN



*Due to routine technical improvement, the photograph shown may not represent the latest design of the products.

AVAILABLE MODEL

1. NGWT 7-55 SN

DESCRIPTION

Gas Wok Ring Table consists of two gas burners with 23 kW (G30) or 26 kW (G20) power rate.

Unit to be installed as a table top, on open cabinet or similar elements, cantilever, or cooking suite block configuration.

ITEM# : _____

MODEL# : _____

NAME : _____

SN : _____

MAIN FEATURE

- 11.5 kW (G30) or 13 kW (G20) cast iron burner.
- Gas system is equipped with flame failure device.
- Circular cast iron pot holder provided.
- Integrated up stand of pot holder to avoid water in the cavity.
- Removable front panel.
- Dirt collecting drawer provided.

CONSTRUCTION

- All exterior panels in 304 type of Stainless Steel
- Orbital top surface anti-scratch finishing.
- Top with 1.2 mm surface.
- Side with 1.2mm pressed surface.
- Front with 0.8 mm pressed surface.
- Adjustable ± 30 mm leg.

INCLUDED ACCESSORIES

- G20 Conversion Kit.

OPTIONAL ACCESSORIES

- Wok holder for 300 mm diameter wok.

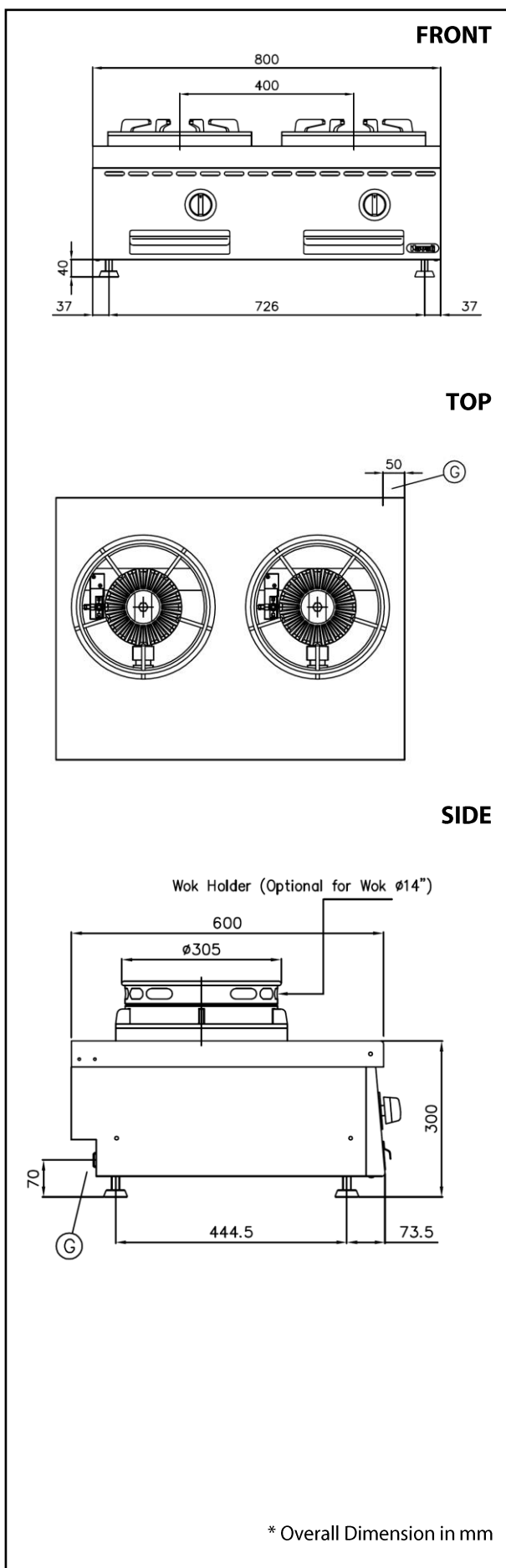


Modular Cooking - Amicus 600
Gas Wok Ring Table
NGWT 7-55 SN



The company reserves the right to make modifications to the products without prior notice. All information correct at time of printing.

2017.11.10



GAS

Gas Power	:	23 kW
		(12,040 kCal/h)
		26 kW
		(12,900kCal/h)
Gas Type Option	:	G30/G31, G20
Gas Inlet	:	R 3/4"
Natural Gas-Pressure	:	G20: 20mbar
LPG Gas Pressure	:	G30 : 28-30 mbar
		G31 : 37 mbar

KEY INFORMATION

Cooking surface	:	Ø 330 mm
Direct heat emission	:	6.5 kW
Latent heat emission	:	2.6 kW
Steam emission	:	3.8 kg / h
Net weight	:	22.5 kg
Shipping height	:	395 mm
Shipping width	:	450 mm
Shipping depth	:	700 mm
Shipping volume	:	0.087 m ³